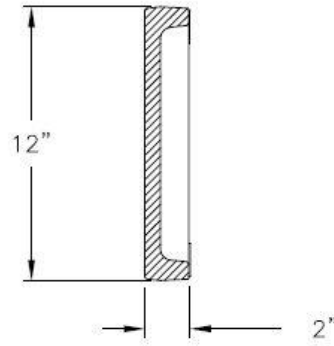
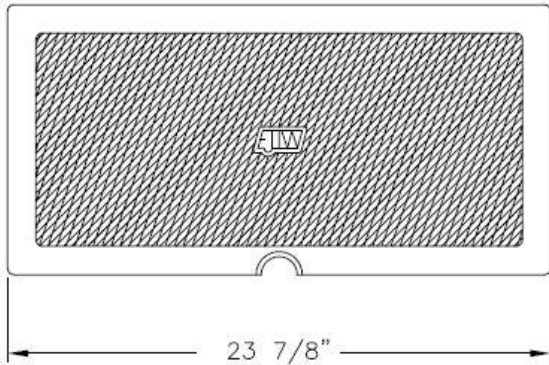
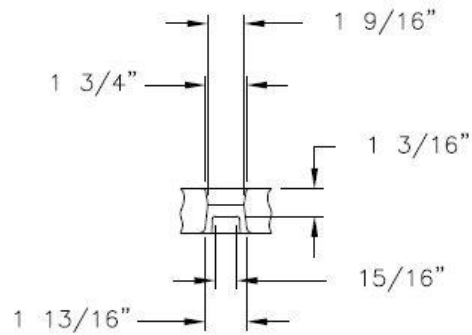
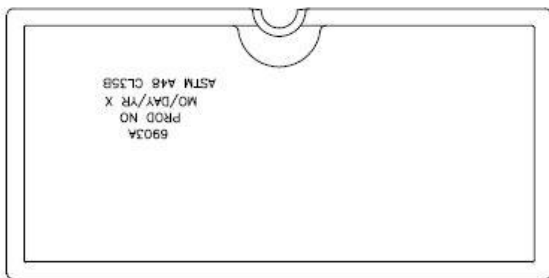


| | |
|--|---|
| <p>Number</p> <p>6903A-Cover</p> | <p>Series</p> <p>6900 Series</p> <p>Solid Cover</p> <p>Heavy Duty</p> |
|--|---|

6903 Trench Cover



COVER SECTION



PICKHOLE DETAIL

Specification

Grate Material : Gray Iron (CL35)
Design Load: Heavy Duty
Open Area N/A
Coating: Undipped
Certification: ASTM A48
Country of Origin: USA

Manufacturer



DISCLAIMER - The customer and the customer's architects, engineers, consultants, and other professionals are completely responsible for the selection installation and maintenance of any product purchased from Trench Drain Supply and/or its manufacturers. TRENCH DRAIN SUPPLY MAKES NO WARRANTY, EXPRESS OR IMPLIED, AS TO THE SUITABILITY, DESIGN, MERCHANTABILITY, OR FITNESS OF THE PRODUCT FOR CUSTOMERS APPLICATION. The drawing and information provided remain the property and copyright of the manufacturer listed. The manufacturer reserves the right to modify specification without notice.